



K-5213

Flat-top Barge

K-5213

Flat-top Barge

SPECIFICATIONS

| | |
|-----------------------------|-----------------------|
| Length mld | 52,20 m |
| Beam mld | 13,00 m |
| Depth mld | 3,00 m |
| Draught max. | 2.29 m |
| Deadweight max. | 1190 ton |
| Deck load | 10 ton/m ² |
| Longitudinal bulkheads (wt) | 24 t/m |
| Transverse bulkheads (wt) | 57 t/m |

Flag: St. Vincent and the Grenadines

Classification

The hull construction meets the classification rules of Lloyd's Register for non-propelled and unman-ned vessels with the following notation:

X100 AT
Pontoon
Strengthened for deck load of 10 tonnes/m²
Bottom Strengthened for Loading and Unloading Aground
*IWS

Additional specification

- 2 spud piles with a diameter of 660 mm and length of 15 m.
- Waste barrier on deck

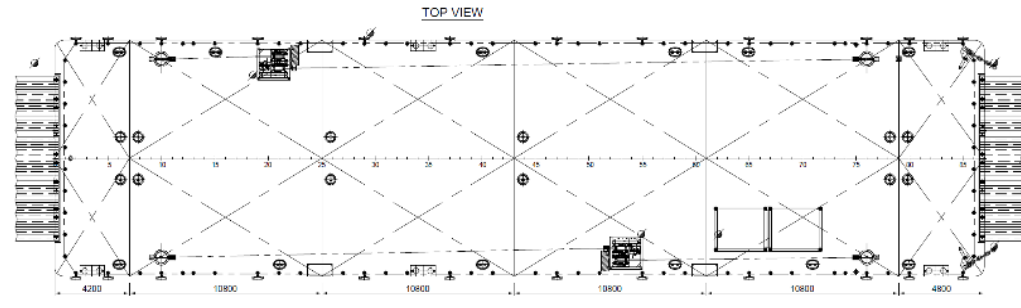
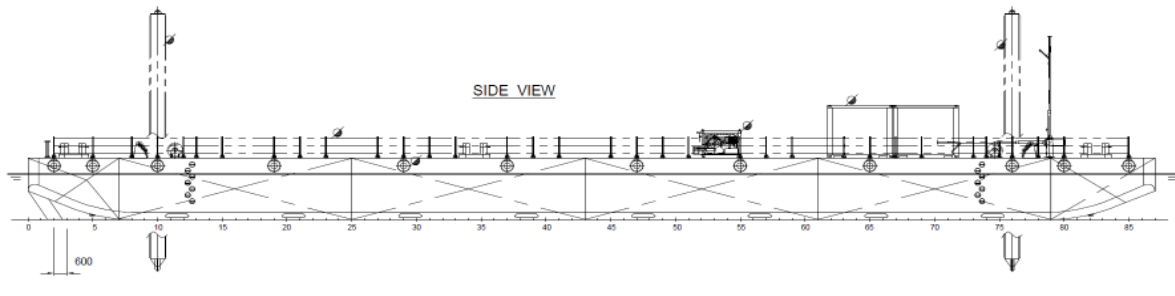
Lay-out

The KOOLE Stan Pontoon is a heavy constructed modern non-propelled pontoon built to standard design under full class. The Damen pontoon can be used for various operations on inland waters, in harbours, estuaries and deep sea.

The pontoon is designed for the transport of general cargo on deck.

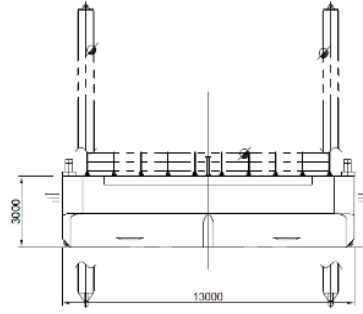
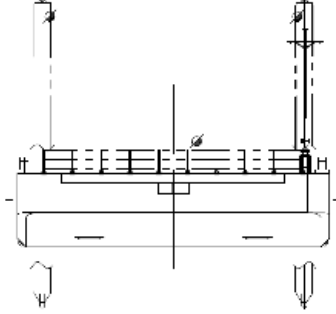
The construction of the pontoon is based on a longitudinal framing system in combination with a transverse web frame system. Due to the utilisation of the pontoon, a special strong construction with extra local strengthening in bottom fore and aft ship, deck and sheer strake and a heavy welding system are used. The main deck has extra thickness above the class requirements in order to generate a wear layer, this to withstand the heavy usage of the pontoon.

Except the bollards, the pontoon has a flush steel deck from fore to aft.



FRONT VIEW

AFT VIEW



Damen StanPontoon® 5213



Main dimensions

| | |
|----------------------------|-----------------------|
| Length mld | 52,20 m |
| Breadth mld | 13,00 m |
| Depth mld | 3,00 m |
| Draught max. | 2,29 m |
| Deadweight max. | 1190 ton |
| Uniform load on cargo deck | 10 ton/m ² |

| | | | |
|---|-----------------------|--|---|
| DAMEN | | DAMEN SHIPYARDS GORINCHEM | |
| Industrieweg Avelingenveld 20 4202 MS Gorinchem The Netherlands | | P.O. Box 1 4200 AA Gorinchem The Netherlands | phone +31 (0) 183 63 99 11 fax +31 (0) 183 63 21 89 info@damen.nl www.damen.nl |
| Format | A1 | General Arrangement | |
| Scale | 1:100 | | |
| Units | mm | | |
| Drawn | P&B | | |
| Checked | HvLe | Standard Type | StanPontoon® 5213 |
| Approved | S.C.No. | - Project ShipType | - Plan |
| Drawing ID | Stock2 - SPo 5213_Mk2 | - GA | 001 |
| IFS Doc No. | | | 2018.01.12 |
| COPYRIGHT DAMEN SHIPYARDS GROUP | | | |

K-5213

Flat-top Barge

KOOLE bv

Vijfhuizerdijk 110
2141 BD Vijfhuizen
The Netherlands
+31 (0) 23 558 19 37

info@koole.eu
www.koole.eu

KOOLE nv

Vaartkaai 51
2170 Antwerp
Belgium
+32 (0) 3 475 07 83

info@koole.be
www.koole.be